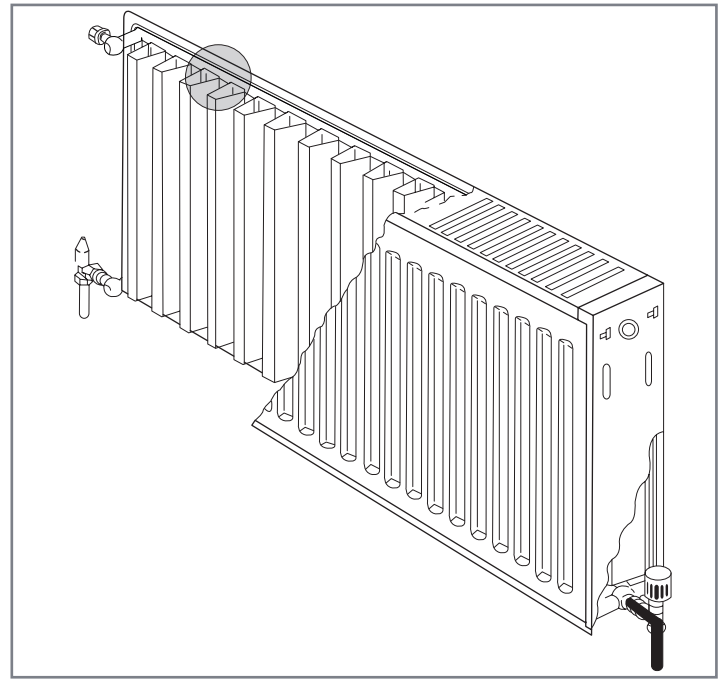
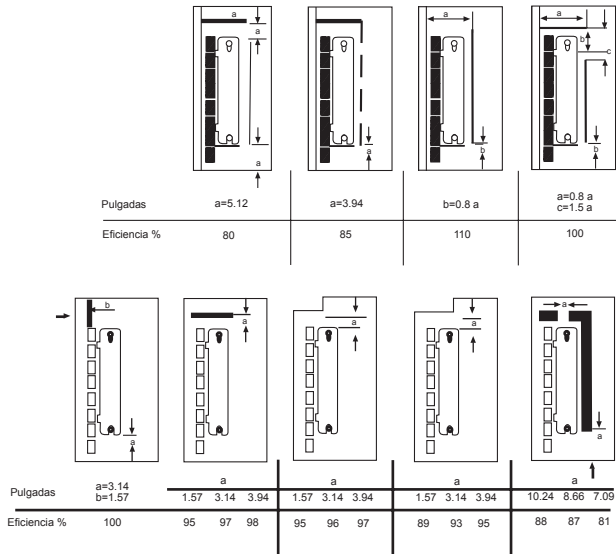


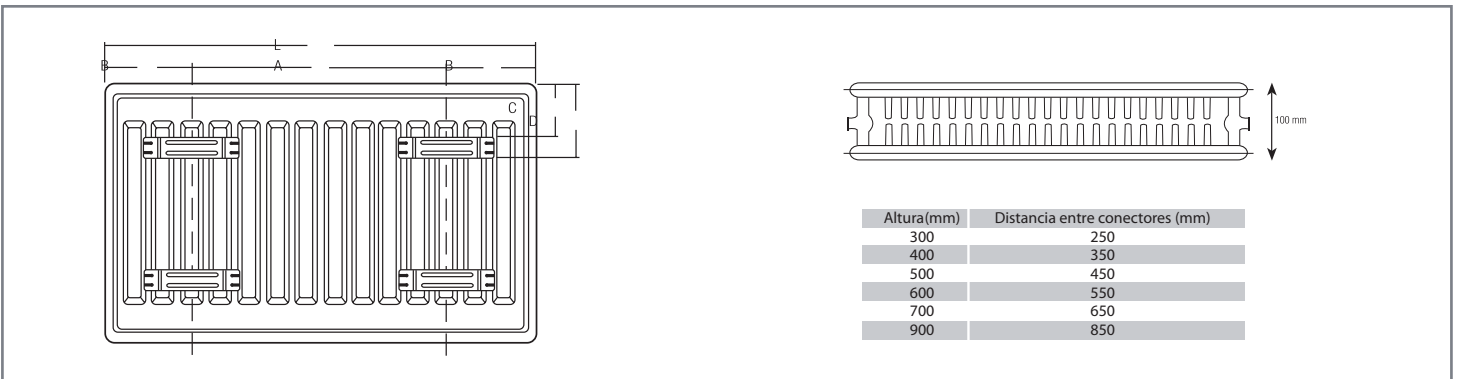
Radiadores Extraplanos

DOBLES 500 x 22 - 300 x 22

Diagrama de Instalación



Esquema



Dimensiones

500x22 / 300x22 (L)	400	500	600	700	800	900	1000	1100	1200
A	200	300	400	500	600	700	800	900	1000
B	100	100	100	100	100	100	100	100	100
C	60	60	60	60	60	60	60	60	60
D	85	85	85	85	85	85	85	85	85
Pares de Soportes	2	2	2	2	2	2	2	2	2
Kcal/h	744/496	930/620	1.115/743	1.301/867	1.487/991	1.673/1.115	1.859/1.239	2.045/1.363	2.231/1.487
CÓDIGORECAL(500)	DA5311010	DA5311020	DA5311030	DA5311040	DA5311050	DA5311060	DA5311070	DA5311080	DA5311090
CÓDIGORECAL(300)	DA5111010	DA5111020	DA5111030	DA5111040	DA5111050	DA5111060	DA5111070	DA5111080	DA5111090

500x22 / 300x22 (L)	1400	1500	1600	1800	2000	2200	2400	2600	2800	3000
A	1200	1400	1400	800	900	1000	1100	1200	1300	1400
B	100	100	100	100	100	100	100	100	100	100
C	60	60	60	60	60	60	60	60	60	60
D	85	85	85	85	85	85	85	85	85	85
Pares de Soportes	2	3	3	3	3	3	3	3	3	3
Kcal/h	2.603/1.735	2.790/1.858	2.974/1.982	3.346/2.230	3.718/2.478	4.090/2.726	4.462/2.974	4.833/3.221	5.205	5.577
CÓDIGORECAL(500)	DA5311110	DA5311111	DA5311130	DA5311150	DA5311170	DA5311190	DA5311210	DA5311230	DA5311250	DA5311270