

Bombas Recirculadoras



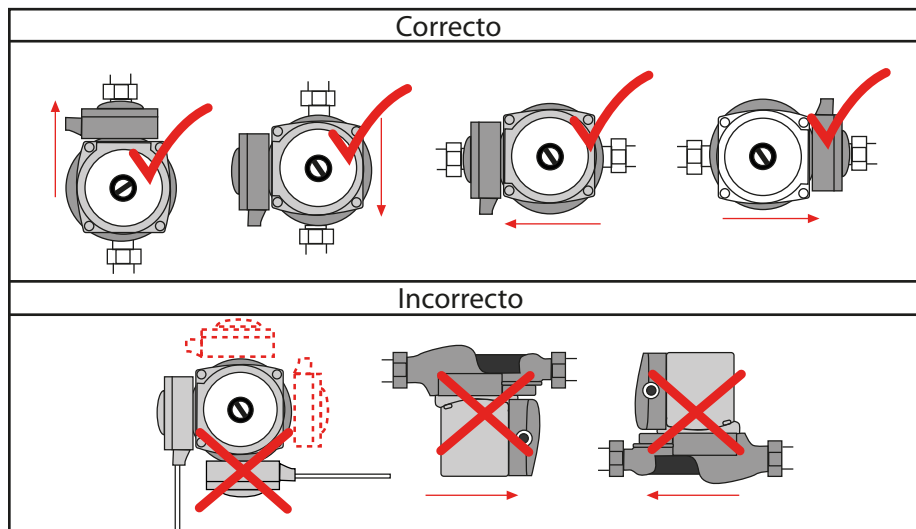
Calefacción

25/60S/180
25/65S/180
32/80S/180

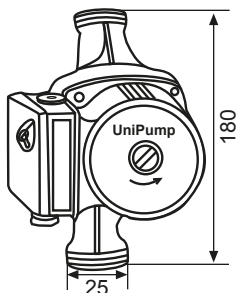
Sanitarias

25/50/180
25/65/180
25/80/180

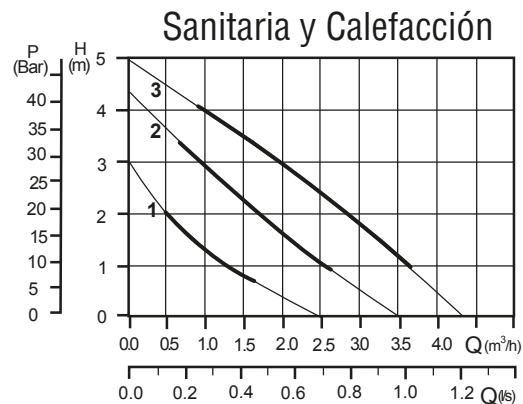
Modo de Instalación



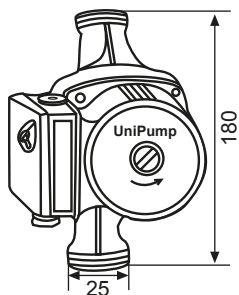
Calef. 25/60S/180
 San. 25/50/180



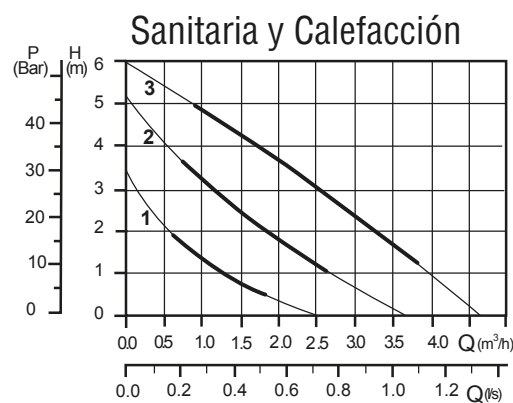
Curva	P1(w)	In(a)
3	85	0.4
2	60	0.3
1	40	0.22



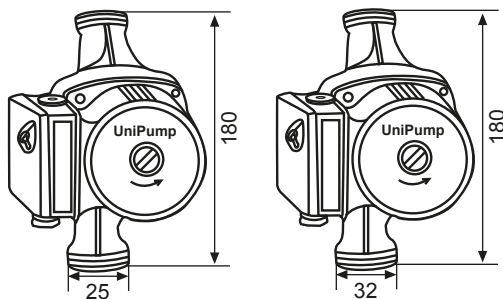
Calef. 25/65/180
 San. 25/65S/180



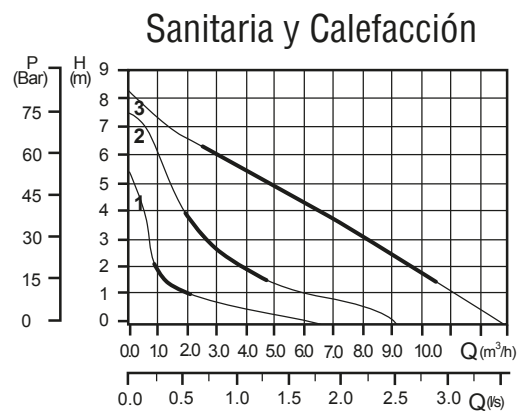
Curva	P1(w)	In(a)
3	100	0.45
2	70	0.35
1	55	0.25



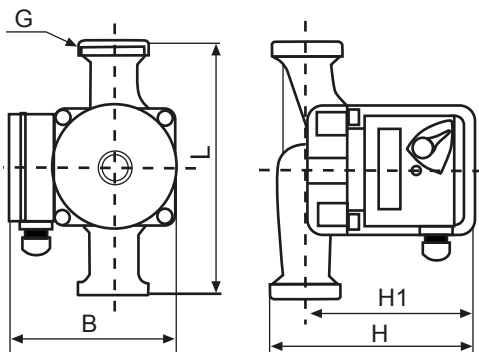
Calef. 32/80/180
 San. 25/80/180



Curva	P1(w)	In(a)
3	245	1.1
2	190	0.85
1	135	0.60



Dimensiones



Código	Modelo	Medidas (mm.)					Peso (kg)
		H	H1	L	G	B	
BBU9521713	25/60S/180	130	105	180	1"	130	2.7
BBU9521704	25/65S/180	130	105	180	1"	130	2.7
BBU9521944	32/80S/180	160	130	180	1 1/4"	150	4.2
BBUPS2550B	25/50/180	130	105	180	1"	130	2.7
BBUPS2565B	25/65/180	130	105	180	1"	130	2.7
BBUPS2580B	25/80/180	160	130	180	1"	150	4.2